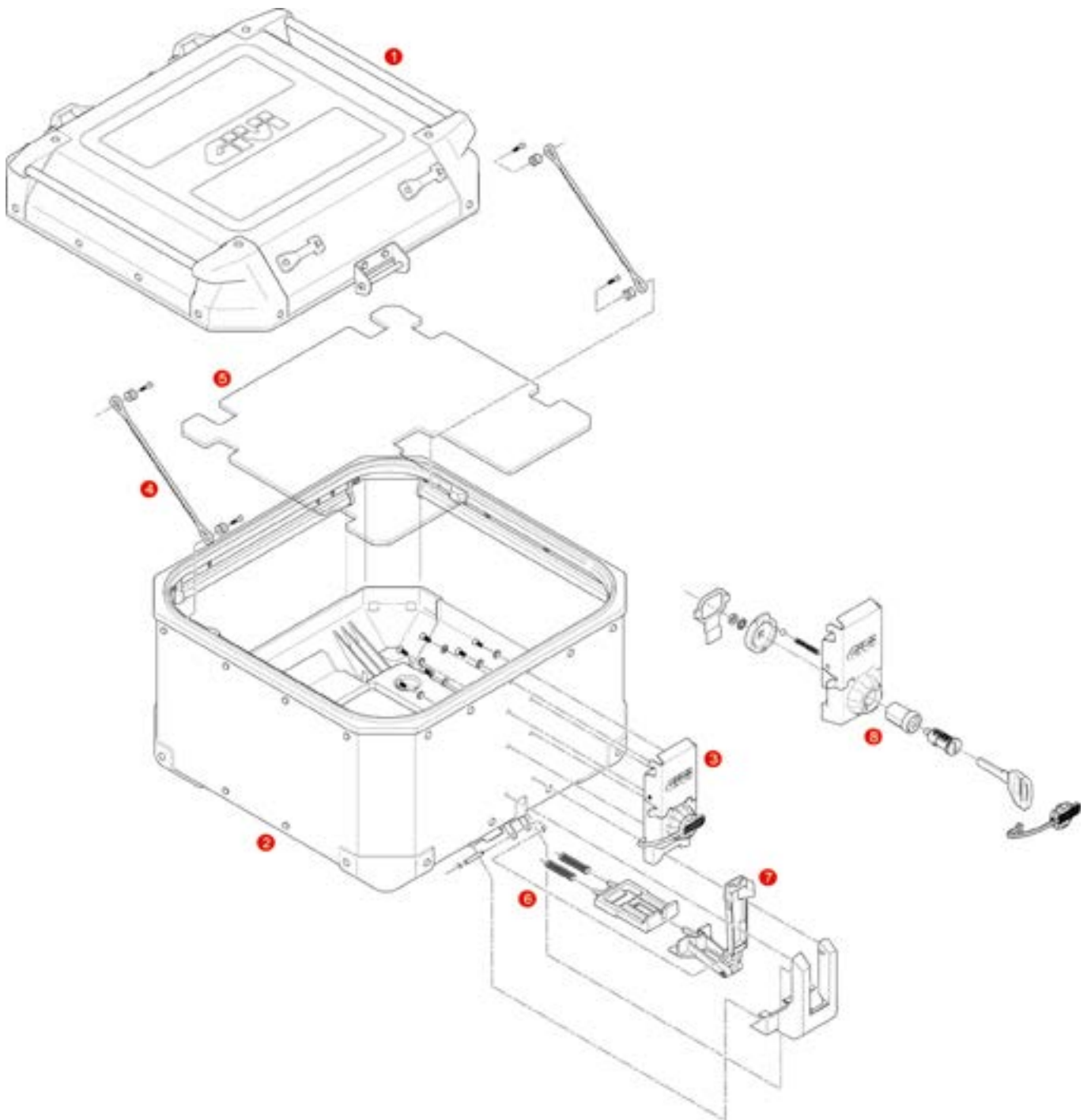


OBKN58A / OBKN58B / OBKN42A / OBKN42B TREKKER OUTBACK TOP CASE



1	ZOBKN58ACM	OBKN58A assembled Top Shell silver aluminium		
	ZOBKN58BCM	OBKN58B assembled Top Shell black aluminium		
	ZOBKN42ACM	OBKN42A assembled Top Shell silver aluminium		
	ZOBKN42BCM	OBKN42B assembled Top Shell black aluminium		
2	ZOBKN58AFM	OBKN58A assembled Bottom Shell aluminium		
	ZOBKN58BFM	OBKN58B assembled Bottom Shell black aluminium		
	ZOBKN42AFM	OBKN42A assembled Bottom Shell aluminium		
	ZOBKN42BFM	OBKN42B assembled Bottom Shell black aluminium		
3	Z8024MR	Lock set		

4	Z115R	Stop bag opening yarn, 2 pcs.		
5	Z8098R	Soft inner mat for OBK58		
	Z8099R	Soft inner mat for OBK42		
6	Z1782CR	Bolt with springs		
7	Z8025R	Mounted release system		
8	SL101	Security lock set including cylinder, 2 keys, bush and under lock platelets		
	Z8032R	Dustproof cap OBK42 / OBK58		
	Z4912R	Trim for aluminium cases, 180cm		