

Item number: HTA.10.740.85000/B

Revision: 00 · Date: 02 - 2026

**BLAZE panniers spacer bars** ~ 0.5 h.EASY     DIFFICULT

**ENGLISH** Thank you for choosing this premium product from SW-MOTECH. Visit our online shop for more information (e.g. model assignments). Required documents (e.g. national type approval) are available there for you to download.

Please read and understand all the instructions, safety information and warnings in these mounting instructions before mounting and using the product in order to avoid injury and damage. Keep these mounting instructions for reference.

This product was developed for vehicles in factory condition. Compatibility with original accessories or accessories from other manufacturers cannot be guaranteed.

These mounting instructions have been prepared to the best of our current knowledge. No legal claims relating to accuracy can be made. Errors and omissions excepted. We reserve the right to make technical and design changes. The copyright is held by SW-MOTECH.

**SAFETY WARNING SYMBOL**

 This warning symbol is used in these mounting instructions to warn of deadly dangers, injuries or other hazards. The words **DANGER**, **WARNING** or **CAUTION** are used as part of this warning symbol to convey important safety messages and information relating to the installation and use of this product. These words, together with the safety warning symbol, mean:

 **DANGER:** Indicates a hazardous situation which, if not avoided, will result in death or serious injury!

 **WARNING:** Indicates a hazardous situation which, if not avoided, may result in death or serious injury!

 **CAUTION:** Indicates a hazardous situation which, if not avoided, may result in minor or moderate injury!

 **NOTE:** Important information, but not relating to a risk of death or injury (property damage only)!

**GENERAL INFORMATION**

 **WARNING:** Assembly and/or maintenance of this product requires advanced technical skill, appropriate tools, and a good understanding of tool usage and torque specifications. For your own safety, SW-MOTECH recommends having the assembly and/or maintenance carried out by a qualified and certified motorcycle workshop.

 **WARNING:** If you do choose to assemble this product yourself, carefully and fully read the mounting instructions before assembly and use, and follow all instructions to avoid serious injury or death. Also observe all relevant information in the vehicle manual when mounting or using the product. IF YOU DO NOT UNDERSTAND ANY PART OF THESE MOUNTING INSTRUCTIONS OR NEED AN EXPLANATION AS TO A SPECIFIC INSTRUCTION, DO NOT ATTEMPT TO INSTALL THIS PRODUCT WITHOUT CONSULTING SW-MOTECH FOR ASSISTANCE!

**PREPARATION:** Read the mounting instructions carefully and make sure that all parts on the parts list are available.

 **CAUTION:** Ensure that your vehicle is standing securely. Switch off the engine and remove the ignition key. Allow the engine/exhaust to cool down if necessary. Disconnect the battery when working on the electrical system. Only use proper tools and always wear safety goggles and gloves during assembly and maintenance. Have a second person help you with assembly and maintenance.

**ASSEMBLY:** All parts and connections removed from the vehicle must be reinstalled according to the vehicle manufacturer's specifications or replaced with parts and hardware supplied by SW-MOTECH.

 **WARNING:** Secure all threads with a medium-strength liquid threadlocker, unless otherwise specified.

 **DANGER:** Tightening torques not defined by SW-MOTECH must be obtained from the vehicle manufacturer or a certified motorbike workshop.

**FUNCTIONAL CHECK:** After mounting the product, ensure that no moving parts are obstructed and that the function of the vehicle is not impeded. Cables and hoses must not rub against each other and/or be hindered in any way.

 **WARNING:** Carry out a comprehensive functionality check before you start to drive. Check the tightening torque of all connections and the tight fit of the product after the first 50 km and then at regular intervals. Mounted accessories can change the handling and stability of the vehicle.



SW-MOTECH GmbH & Co. KG  
Ernteweg 7-10  
35282 Rauschenberg  
Germany



 [info@sw-motech.com](mailto:info@sw-motech.com)  
 [www.sw-motech.com](http://www.sw-motech.com)



Take note of the symbols and what they mean in the ASSEMBLY section. If the term OEM appears in the ASSEMBLY section, the vehicle manufacturer's specifications must be observed and applied.



If you have any questions, please don't hesitate to contact our Customer Service team or our distributors. You can find our telephone number and a list of our distributors in our online shop:

**[www.sw-motech.com](http://www.sw-motech.com)**



**Use thread locker:** Indicates that a thread must be coated with liquid thread locker. H (HIGH): high strength; M (MEDIUM): medium strength; L (LOW): low strength.



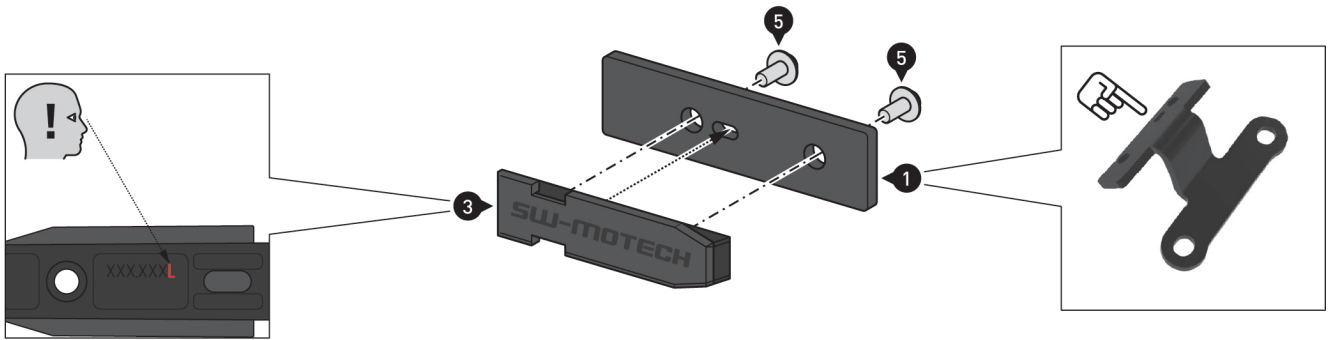
**Tighten/note the tightening torque information:**

Indicates the tightening torque of a part specified by SW-MOTECH or the vehicle manufacturer (OEM).

PARTS LIST - READ AND KEEP MOUNTING INSTRUCTIONS!

<p><b>1</b></p> <p><b>1</b></p>  <p>HTA.10.740.001L.11</p> <p> 1/1</p>	<p><b>2</b></p>  <p>HTA.10.740.001R.11</p> <p> 1/1</p>	<p><b>3</b></p>  <p>HTA.00.740.033L.02</p> <p> 1/1</p>	<p><b>4</b></p>  <p>HTA.00.740.033R.02</p> <p> 1/1</p>	<p><b>5</b></p>  <p>M5 x 8; ISO 7380 SC.A2.05.008.01.7380.M3</p> <p> 4/4</p>	
<p><b>2</b></p> <p><b>6</b></p>  <p>HTA.01.740.A02L</p> <p> 1/1</p>	<p><b>7</b></p>  <p>HTA.01.740.A02R</p> <p> 1/1</p>	<p><b>8</b></p>  <p>KES.RD.150.0200.02.GL</p> <p> 2/2</p>	<p><b>9</b></p>  <p>HTA.00.740.531.01</p> <p> 1/1</p>	<p><b>10</b></p>  <p>HTA.00.740.532.01</p> <p> 1/1</p>	<p><b>11</b></p>  <p>M5 x 16; DIN 6912 SC.ST.05.016.02.6912.088</p> <p> 4/4</p>
<p><b>12</b></p>  <p>M5; DIN 985 MU.A4.05.01.985.70</p> <p> 4/4</p>	<p><b>13</b></p>  <p>M5 x 12; ISO 7380 SC.A2.05.012.01.7380.M3</p> <p> 2/2</p>	<p><b>14</b></p>  <p>ø 5,3; DIN 9021 US.A2.053.01.9021</p> <p> 2/2</p>			
<p><b>4</b></p> <p><b>15</b></p>  <p>M8 x 55; DIN 912 SC.ST.08.055.48.912.109</p> <p> 4/4</p>	<p><b>16</b></p>  <p>ø 8,4; DIN 125 US.ST.084.02.125</p> <p> 4/4</p>	<p><b>17</b></p>  <p>ø 15 / ø 8,4 / h 28 DB.ST.0150.0084.0280.48</p> <p> 4/4</p>			

1



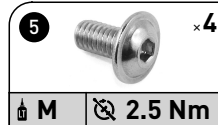
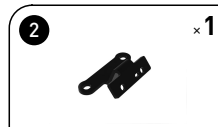
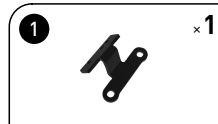
**⚠ WARNING: Always wear eye and hand protection!**  
**⚠ WARNING: Always use suitable tools!**

**⚠ NOTE:** The following installation steps show the installation on one side only. Repeat the installation steps on the other side of the bike unless otherwise stated.

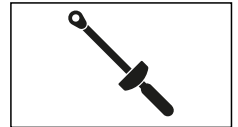
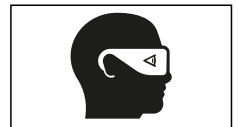
**⚠ NOTE:** The illustration of the mounting bracket (1) serves as an example. Screw the connector support rails (3/4) onto the side of the mounting bracket (1/2) marked in the illustration.

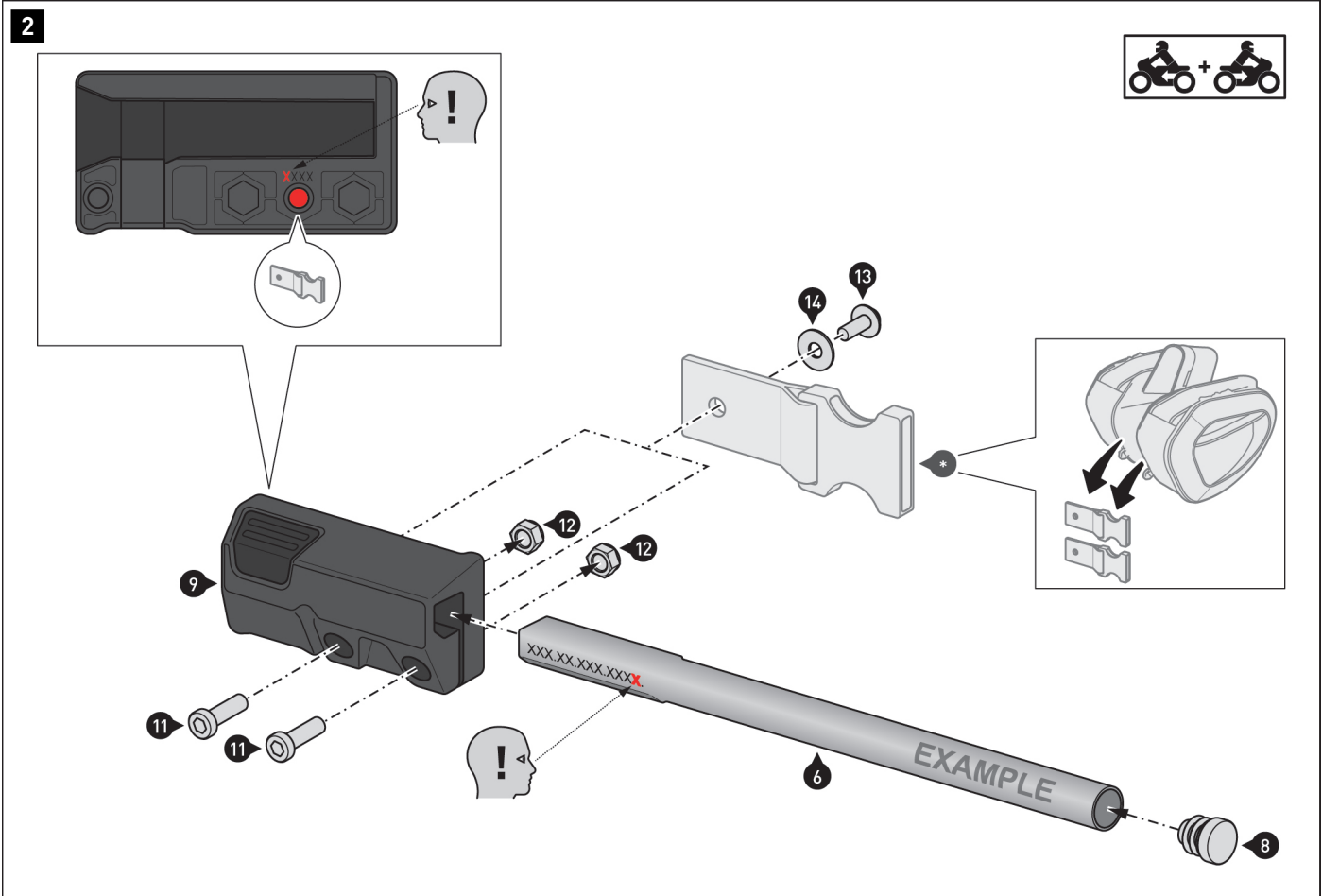
Screw the plug holder rail (3) to the **L mark** on the mounting bracket (1). Then screw the plug holder rail (4) to the **R mark** on the mounting bracket (2). Tighten the screws (5) as specified in the mounting instructions.

**⚠ CAUTION: Overtightening the screws (5) will damage the plastic parts.**



M 2.5 Nm





Remove the buckles (-) from your saddlebags.

Insert the plastic plugs (8) into the ends of the spacer brackets (6/7).

Insert the support arm (6) with the **L mark** into the opening of the connector (9) with the **R mark**.

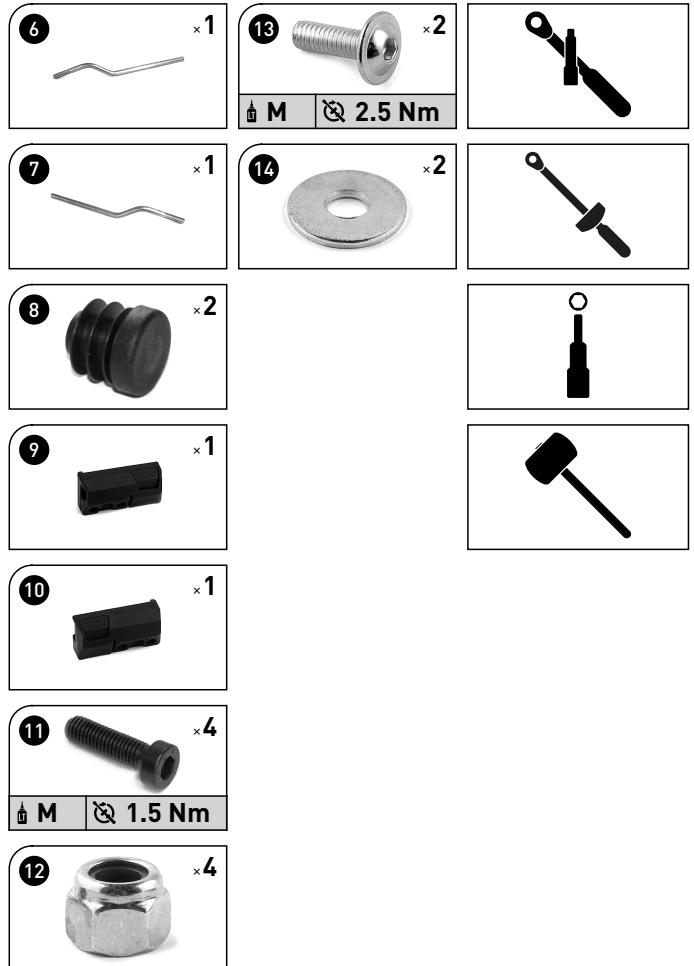
Next, insert the support arm (7) with the **R mark** into the opening of the connector (10) with the **L mark**.

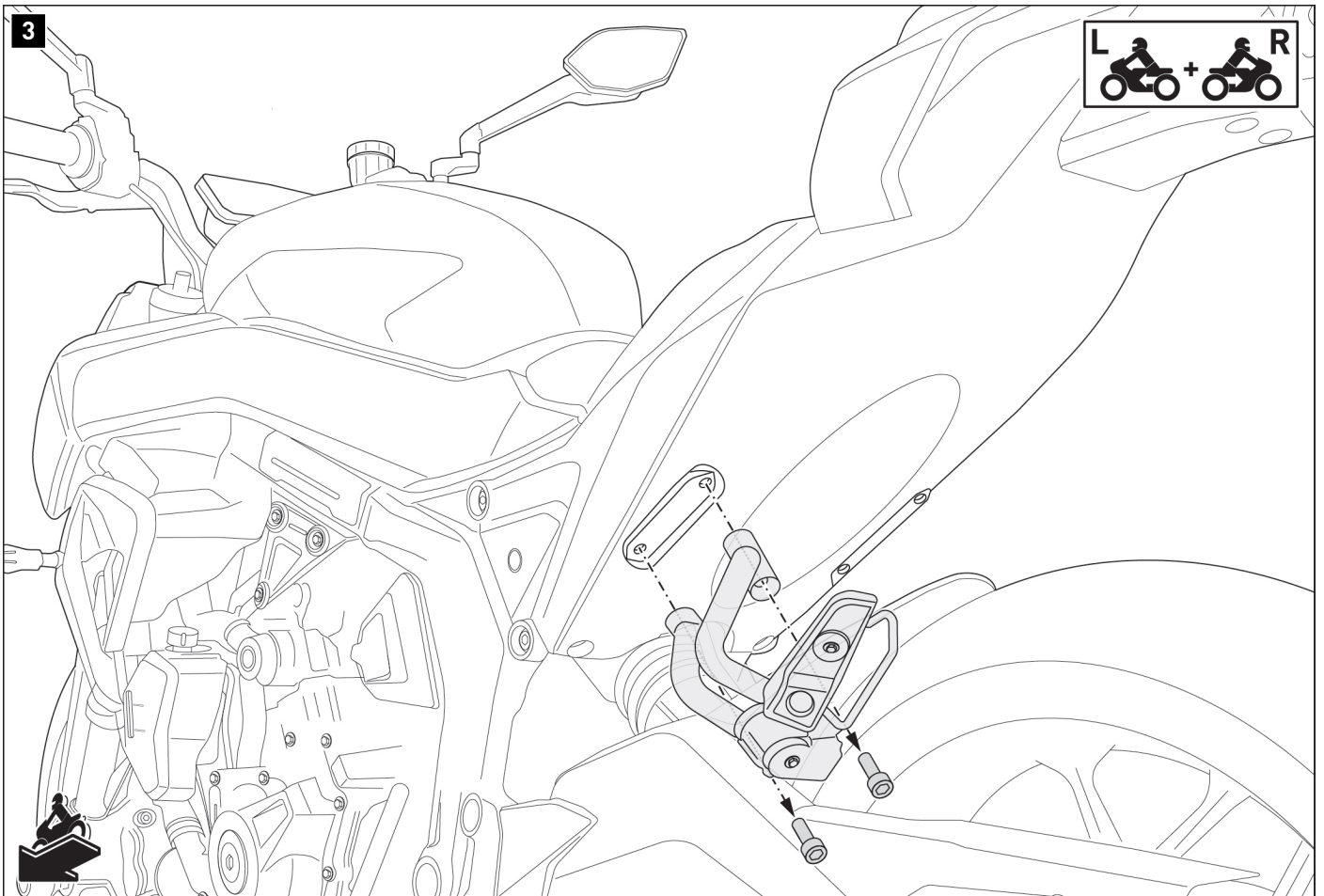
Tighten the screws (11) as specified in the mounting instructions.

**▲ CAUTION: Overtightening the screws (11) will damage the plastic parts.**

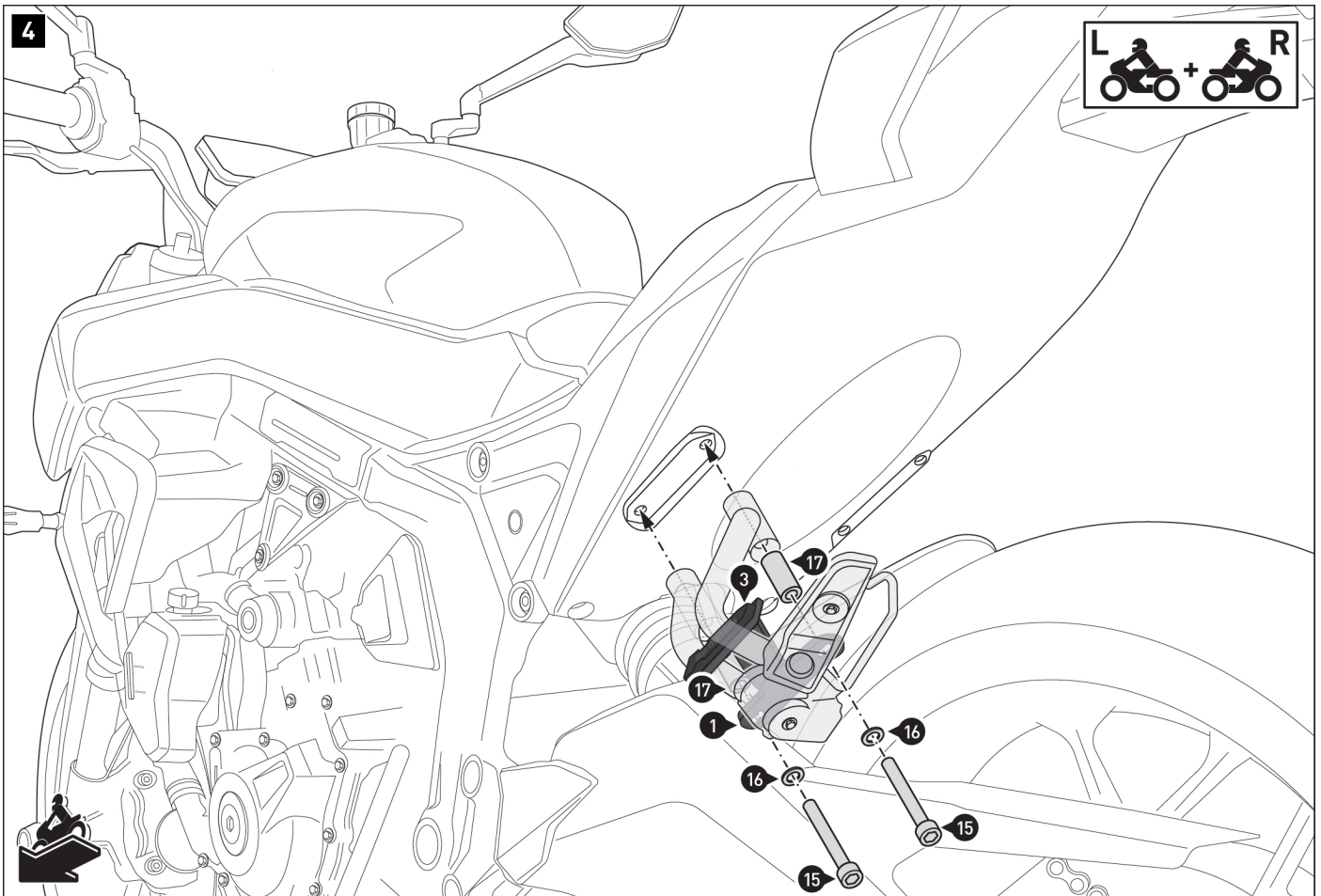
**▲ WARNING: Check that the spacer brackets (6/7) are firmly in place.**

Screw the buckles (-) onto the backs of the connectors (9/10). Pay attention to the attachment point shown in the detailed drawing. Do not tighten the screws (13) yet.





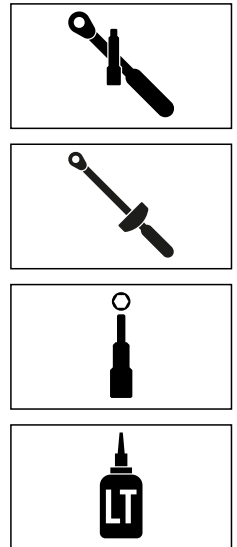
Remove the indicated screws and passenger footrest holders **from both sides** of the vehicle.

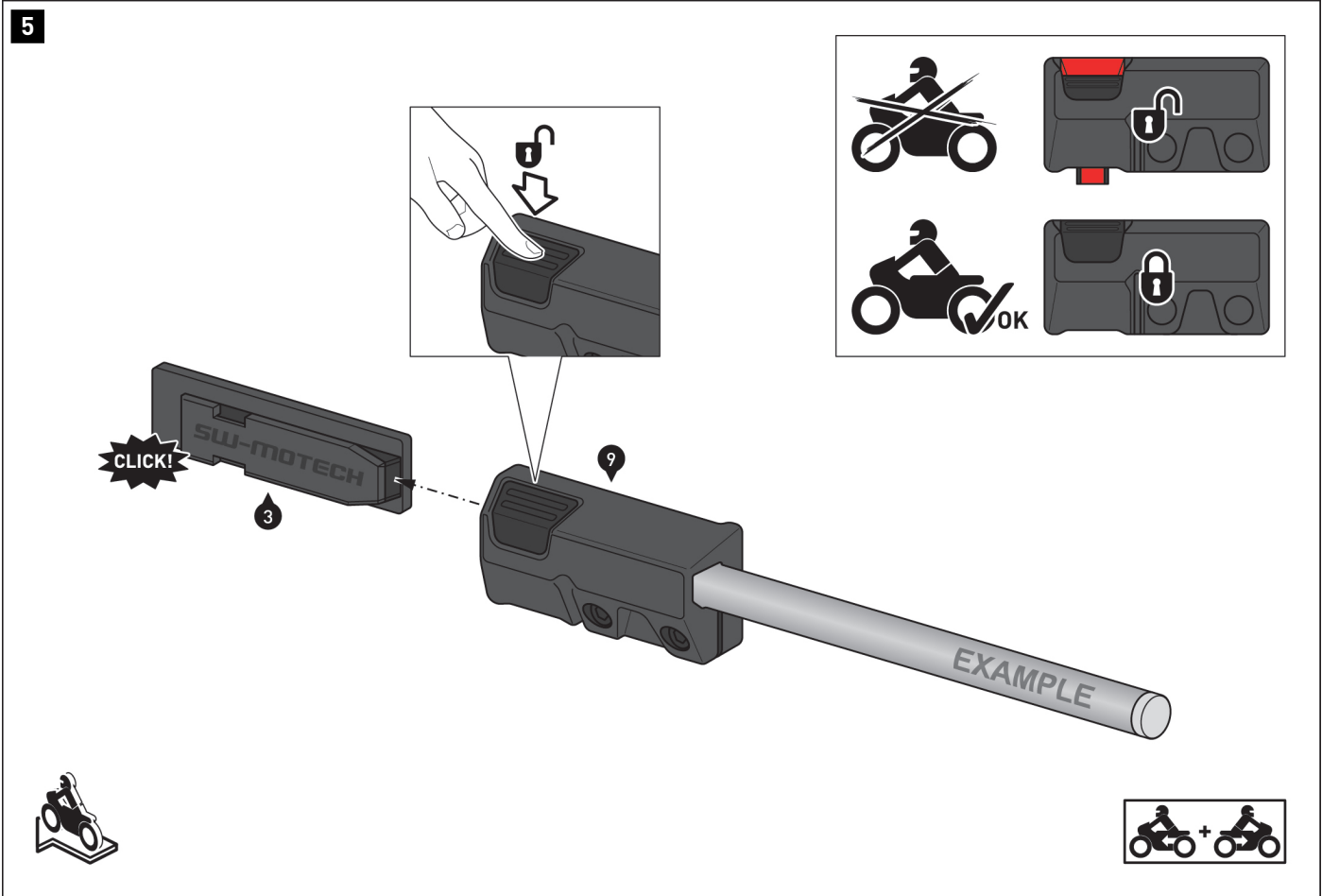


Screw the mounting brackets (1/2) to the passenger footrest holders on **both sides** of the vehicle.

**▲ WARNING: Use liquid threadlocker.**

Tighten the screws (15) according to the vehicle manufacturer's specifications.





Slide the connectors (9/10) onto the connector rails (3/4) on both sides.

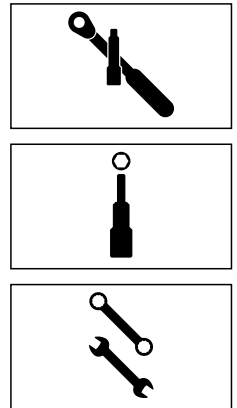
**▲ CAUTION:** Listen for the clearly audible click when the lock is engaged. Also make sure that the red warning areas of the release buttons are not visible. Otherwise, the lock cannot be guaranteed (see detailed drawing).

**▲ WARNING:** The mounting instructions enclosed with the saddlebags must be followed before attaching the saddlebags to the support arms!

**AFTER** attaching the saddlebags, tighten the screws (13) on both sides as specified in the mounting instructions.

**▲ CAUTION:** Overtightening the screws (13) will damage the plastic parts.

**▲ WARNING:** Check that all components are securely fastened before starting your journey. Remove the (9/10) connectors from your bike when riding **WITHOUT** saddlebags.



PRODUCT-SPECIFIC NOTES

**⚠ WARNING:** Please follow the installation instructions included with the saddlebags.

**⚠ NOTE:** Observe the country-specific regulations for the registration/operation of your vehicle and any applicable TÜV regulations. Have any parts requiring registration entered in the vehicle documents by your inspection centre after they have been installed.